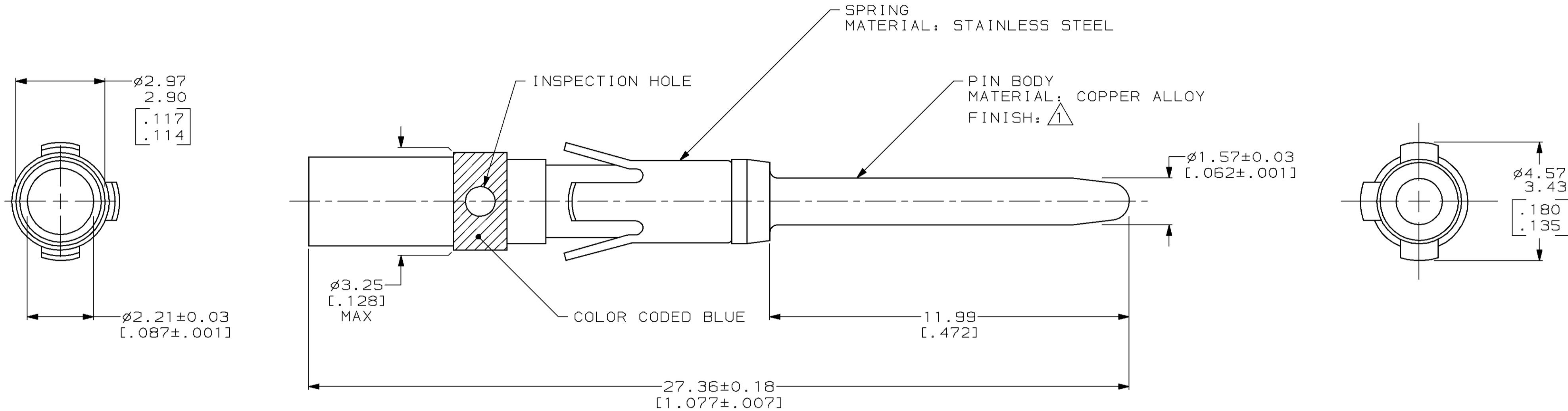


THIS DRAWING IS UNPUBLISHED. RELEASED FOR PUBLICATION
 BY AMP INCORPORATED. ALL RIGHTS RESERVED.

| REVISIONS | | | | DATE | DWN | APVD |
|-----------|-----|---------------------------------------|-----------|------|-----|------|
| P | LTR | DESCRIPTION | | | | |
| F | | REDRAWN W/O CHANGE PER EC 0320-109-96 | 01 DEC 97 | - | - | - |



$\triangle 1$ 0.76 μ m [.000030] MIN GOLD OVER 1.27 μ m [.000050] MIN NICKEL.

202725-1
 PART NUMBER

| | | | | |
|--|--|------------------------------------|---|--|
| THIS DRAWING IS A CONTROLLED DOCUMENT. | | DWN B. CARBO 01 DEC 97 | AMP Incorporated Harrisburg, PA 17105-3608 | |
| DIMENSIONS: mm [INCHES] | | CHK R. STONE 10 DEC 97 | NAME G. STEINHAUER | |
| TOLERANCES UNLESS OTHERWISE SPECIFIED: | | APVD G. STEINHAUER 06 JAN 98 | PRODUCT SPEC | |
| 0 PLC ±- | | APPLICATION SPEC | | |
| 1 PLC ±- | | WEIGHT | | |
| 2 PLC ±0.13 [.005] | | SCALE 10:1 | | |
| 3 PLC ±- | | SHEET 1 OF 1 | | |
| 4 PLC ±- | | REV F | | |
| ANGLES ±- | | CUSTOMER DRAWING | | |
| FINISH | | RESTRICTED TO | | |
| SEE CALLOUTS | | A2 00779 C= 202725 | | |

202725